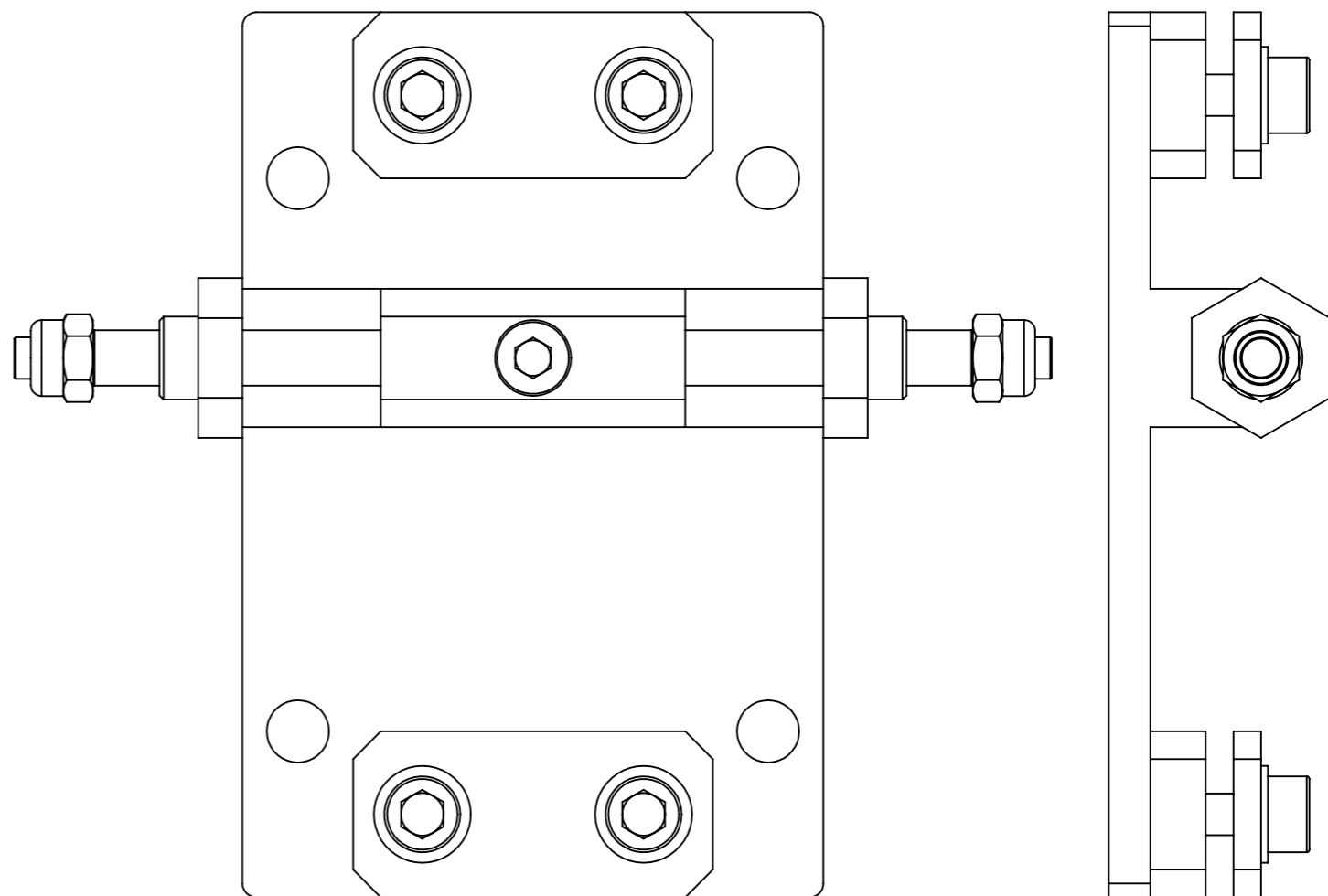
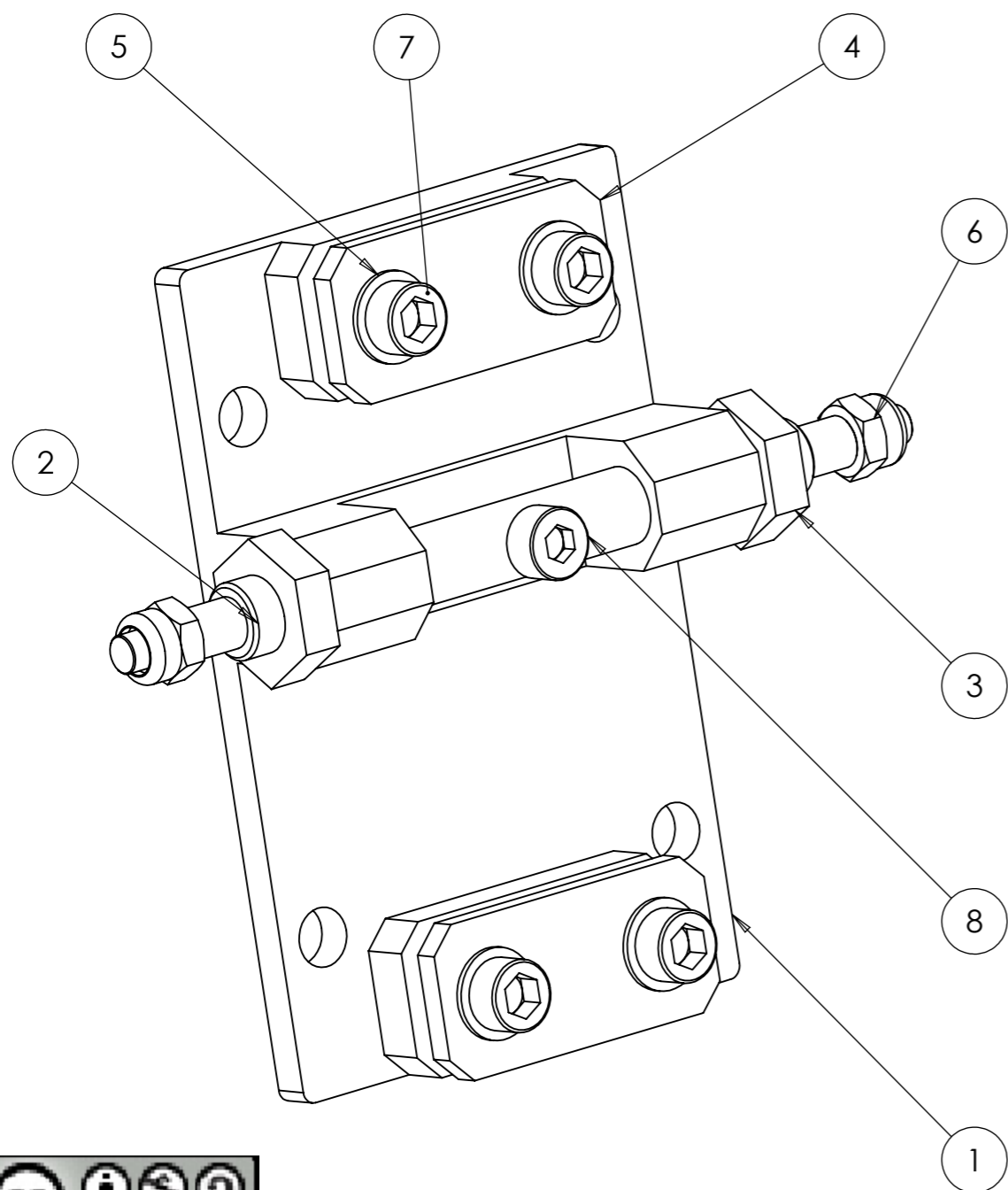



ITEM	PART NUMBER	DESCRIPTION	QTY.	supplier
1	1-00185	Machined Arm Carriage	1	To Drawing
2	1-00140	Arm Shaft	1	To drawing
3	1-00170	M6 Thin Nut A2	2	Nuts & Bolts
4	1-00134	Belt Clamp	2	To drawing
5	1-00023	M3 Washer A2	4	Nuts & Bolts
6	1-00034	M3 Nyloc A2	2	Nuts & Bolts
7	1-00161	M4 x 10 Hex Cap Head A2	4	Nut & Bolt
8	1-00024	M3 x 12 Hex Cap Head A2	1	Nuts & Bolts



This work is licensed under a Creative Commons Attribution - NonCommercial ShareAlike 4.0 Unported license.

UNLESS OTHERWISE SPECIFIED: DIMENSIONS ARE IN MILLIMETERS SURFACE FINISH: TOLERANCES: SEE DIM'S LINEAR: SEE DIM'S ANGULAR: SEE DIM'S			FINISH:	DEBUR AND BREAK SHARP EDGES	DO NOT SCALE DRAWING	REVISION
DRAWN	NAME	SIGNATURE	DATE	 <a href="http://www.andornot.co.uk">www.andornot.co.uk</a>	TITLE:  <b>Arm Carriage</b>	
CHK'D					DWG NO. <b>1-00192</b>	
APPV'D					A3	
MFG					SCALE: 2:1	
Q.A					SHEET 1 OF 1	
WEIGHT:						