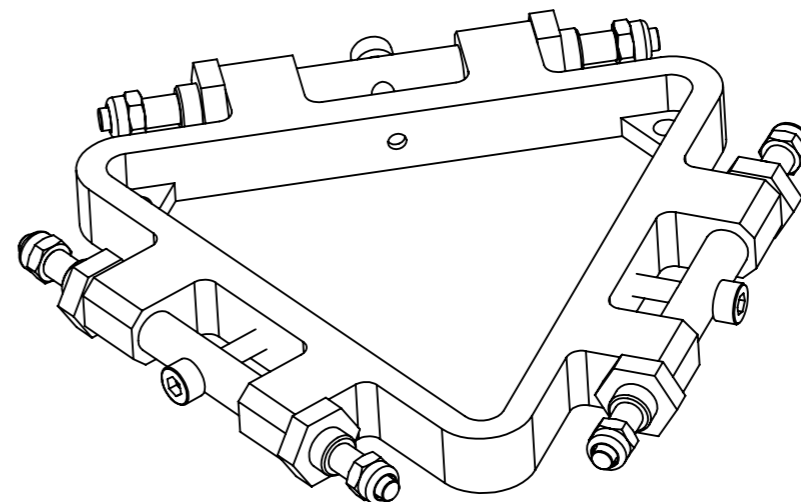
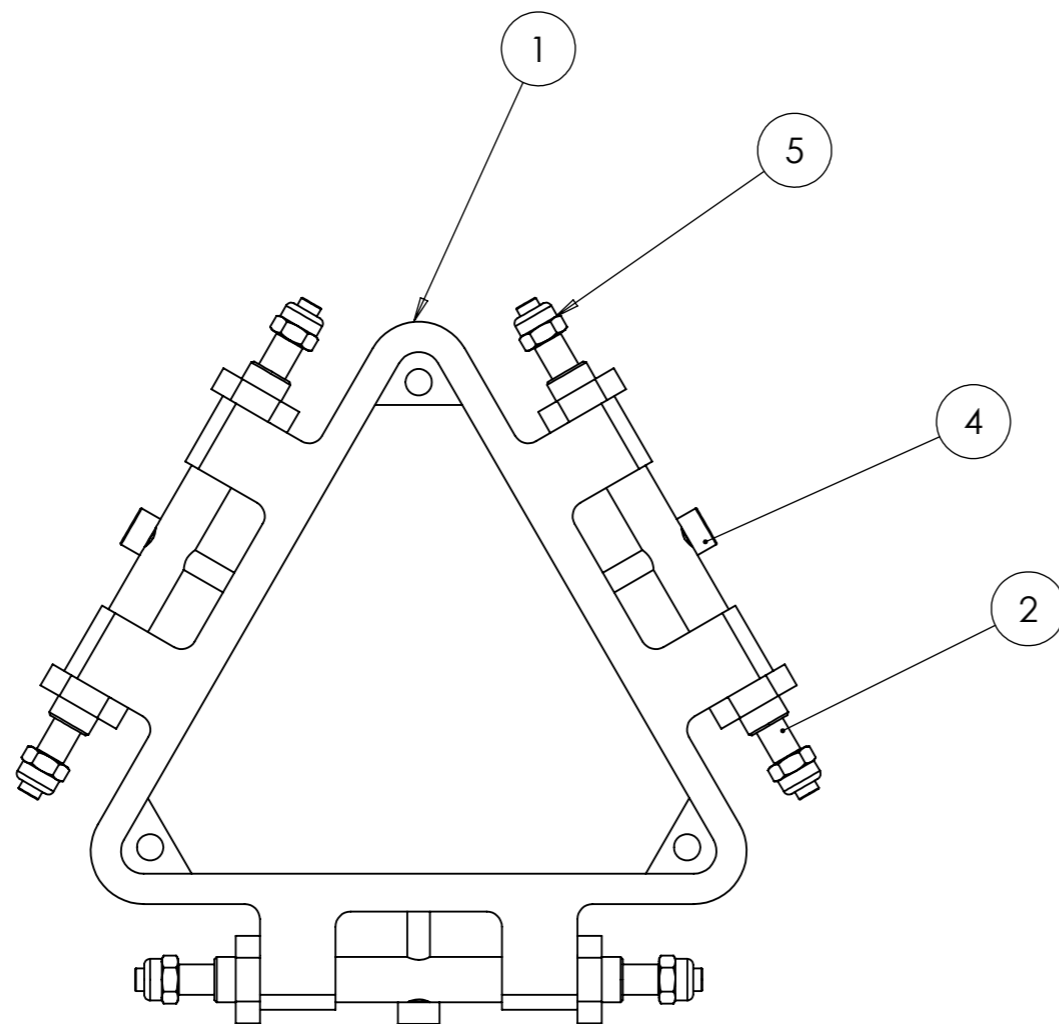



ITEM	PART NUMBER	DESCRIPTION	QTY.	supplier
1	1-00186	Machined End Effector	1	To Drawing
2	1-00140	Arm Shaft	3	To drawing
3	1-00170	M6 Thin Nut A2	6	Nuts & Bolts
4	1-00030	M3 x 16 Hex Cap Head A2	3	Nuts & Bolts
5	1-00034	M3 Nyloc A2	6	Nuts & Bolts



This work is licensed under a Creative Commons Attribution - NonCommercial ShareAlike 4.0 Unported license.

UNLESS OTHERWISE SPECIFIED: DIMENSIONS ARE IN MILLIMETERS SURFACE FINISH: TOLERANCES: SEE DIM'S LINEAR: SEE DIM'S ANGULAR: SEE DIM'S			FINISH:	DEBUR AND BREAK SHARP EDGES	DO NOT SCALE DRAWING	REVISION
NAME	SIGNATURE	DATE	 <a href="http://www.andornot.co.uk">www.andornot.co.uk</a>		TITLE:  <b>End Effector assy</b>	
DRAWN					DWG NO. <b>1-00191</b>	
CHK'D					A3	
APPV'D					SCALE:1:1	
MFG					SHEET 1 OF 1	
Q.A			WEIGHT:			