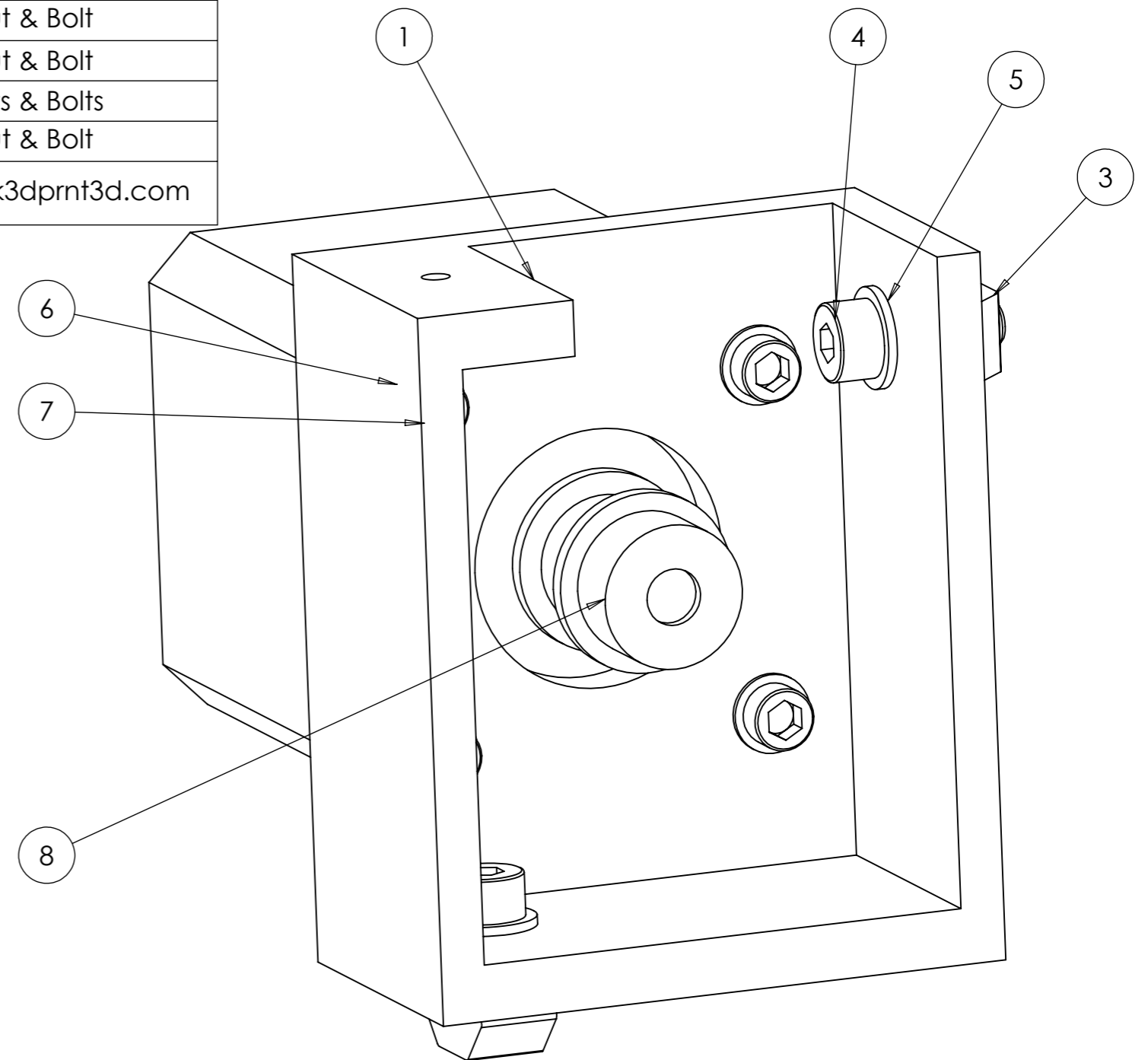



ITEM	PART NUMBER	DESCRIPTION	QTY.	supplier
1	1-00159	Motor Bracket	1	Printed Part
2	1-00017	Nema 17 Stepper Motor	1	www.think3dprint3d.com
3	1-00016	M4 T Nut	2	Motedis
4	1-00021	M4 x 12 Hex Cap Head A2	2	Nut & Bolt
5	1-00022	M4 Washer A2	2	Nut & Bolt
6	1-00023	M3 Washer A2	4	Nuts & Bolts
7	1-00161	M4 x 10 Hex Cap Head A2	4	Nut & Bolt
8	1-00018	GT2 20 Tooth Sprocket	1	www.think3dprnt3d.com



This work is licensed under a Creative Commons Attribution - NonCommercial ShareAlike 4.0 Unported license.

UNLESS OTHERWISE SPECIFIED: DIMENSIONS ARE IN MILLIMETERS SURFACE FINISH: TOLERANCES: SEE DIM'S LINEAR: SEE DIM'S ANGULAR: SEE DIM'S			FINISH:	DEBUR AND BREAK SHARP EDGES	DO NOT SCALE DRAWING	REVISION
DRAWN	NAME	SIGNATURE	DATE	 www.andornot.co.uk	TITLE: Stepper Assy	
CHK'D					DWG NO. 1-00160	
APPV'D					SCALE:1:1	
MFG					SHEET 1 OF 1	
Q.A					A3	
				WEIGHT:		