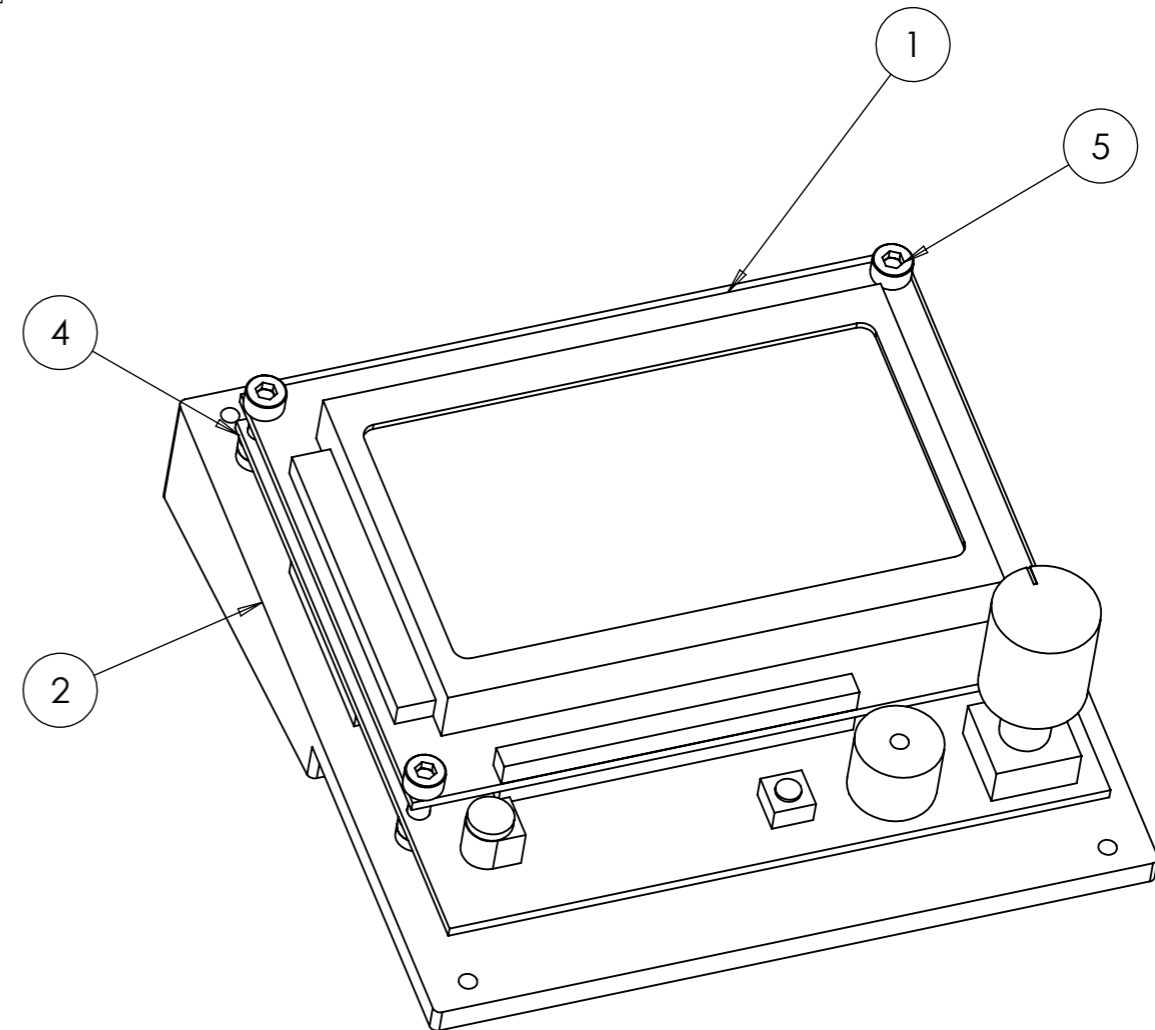
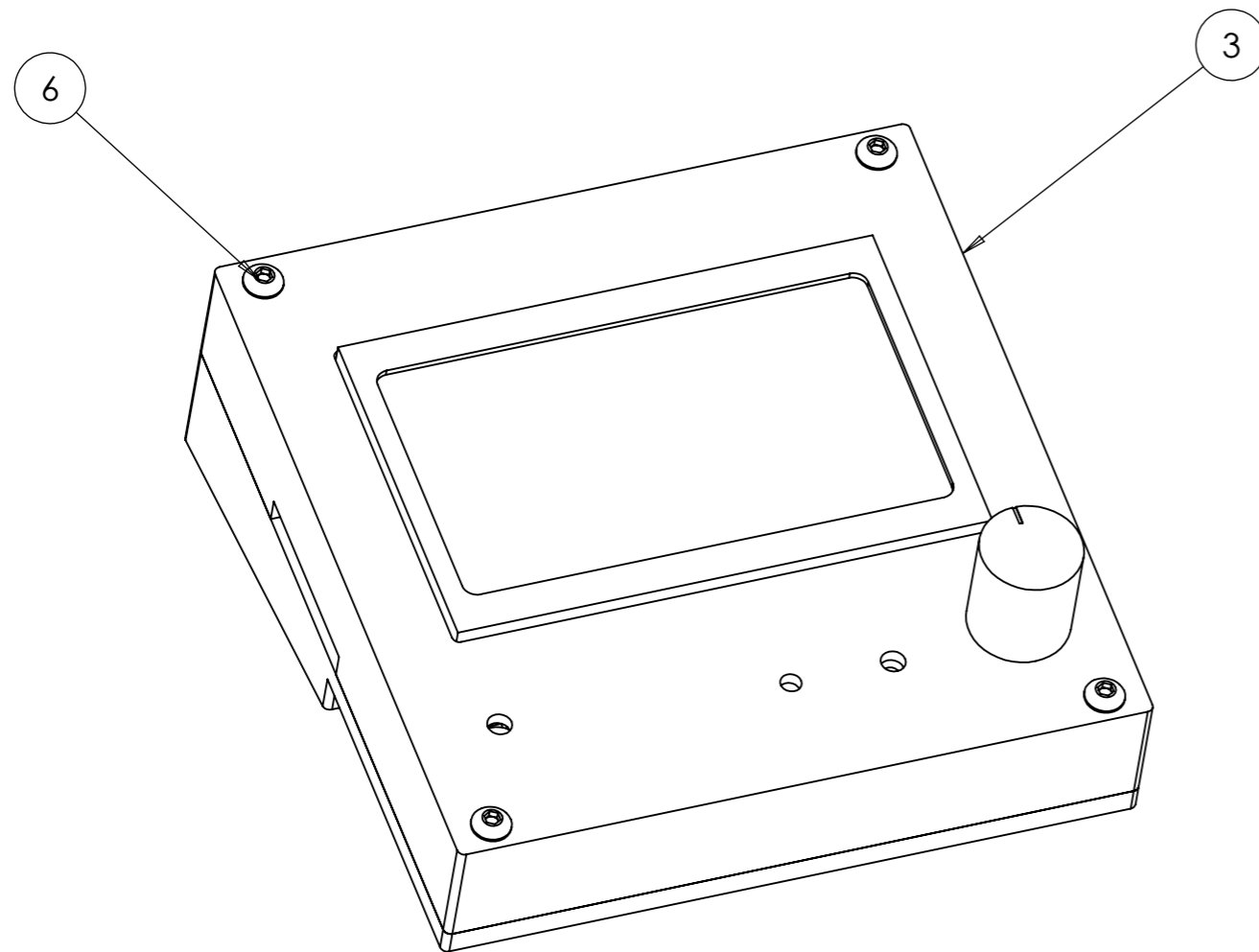



ITEM	PART NUMBER	DESCRIPTION	QTY.	supplier
1	1-00188	GLCD Display	1	Reprapdiscount
2	1-00189	Panel Base	1	To Drawing
3	1-00190	Panel Top	1	To Drawing
4	1-00209	2mm PCB spacer	8	CPC
5	1-00030	M3 x 16 Hex Cap Head A2	4	Nuts & Bolts
6	1-00210	M3 x 25mm Socket Button A2	4	Nuts & Bolts



This work is licensed under a Creative Commons Attribution - NonCommercial ShareAlike 4.0 Unported license.

UNLESS OTHERWISE SPECIFIED: DIMENSIONS ARE IN MILLIMETERS SURFACE FINISH: TOLERANCES: SEE DIM'S LINEAR: SEE DIM'S ANGULAR: SEE DIM'S			FINISH:	DEBUR AND BREAK SHARP EDGES	DO NOT SCALE DRAWING	REVISION	
NAME	SIGNATURE	DATE	 www.andornot.co.uk		TITLE: Panel Assy		
DRAWN					DWG NO. 1-00145		A3
CHK'D					SCALE:1:1		SHEET 1 OF 1
APPV'D					MATERIAL:		
MFG					WEIGHT:		
Q.A							