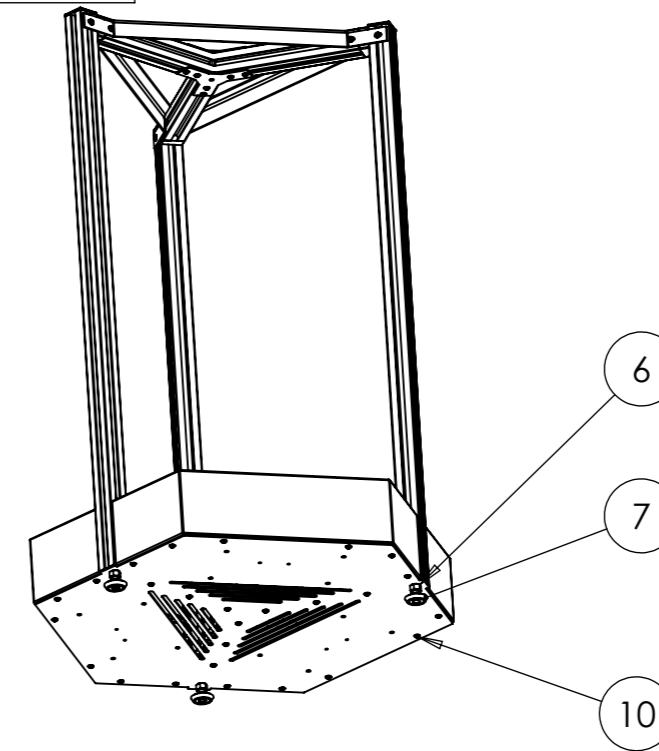
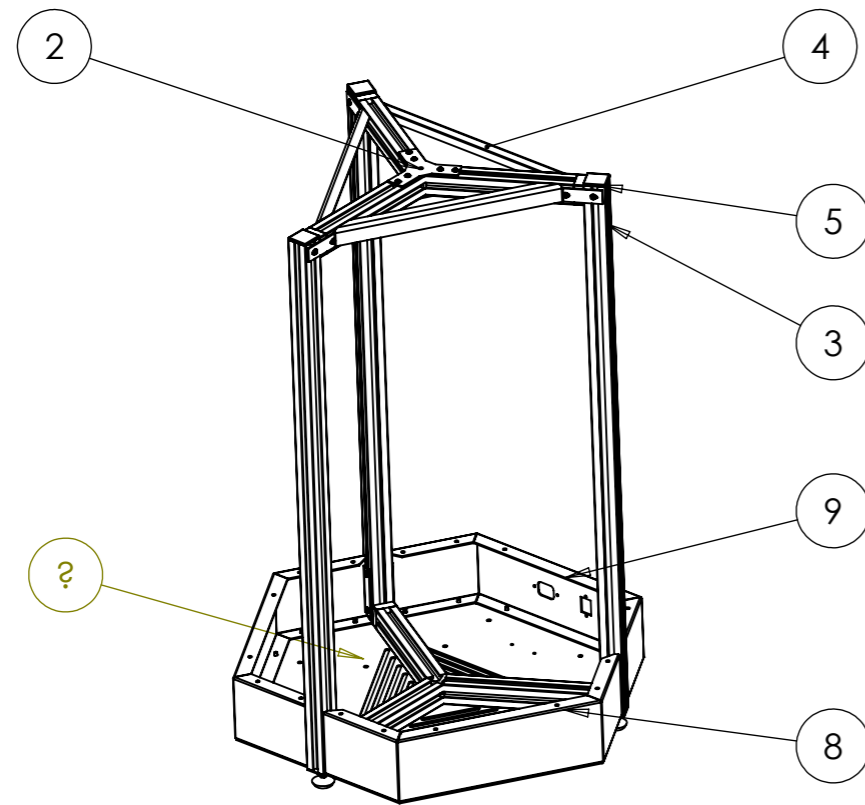



ITEM	PART NUMBER	DESCRIPTION	QTY.	supplier
1	1-00091	Bottom Plate	1	To Drawing
2	1-00075	Center Plate	2	To Drawing
3	1-00100	Frame Leg Assy	3	See Parts
4	1-00049	Top Brace	3	To Drawing
5	1-00088	Extrusion Cap	3	Modedis
6	1-00090	Hexagon Nut M8 A2	3	Nuts & Bolts
7	1-00053	M8 Adjustable Foot	3	Wixroyd
8	1-00043	Side Wall	2	To Drawing
9	1-00076	Side Wall Power Supply	1	To Drawing
10	1-00092	Button Socket M4 x 8 A2	63	Nuts & Bolts
11	1-00016	M4 T Nut	45	Motedis
12	1-00202	Frame Setting Tool	1	Printed Parts



This work is licensed under a Creative Commons Attribution - NonCommercial ShareAlike 4.0 Unported license.

UNLESS OTHERWISE SPECIFIED: DIMENSIONS ARE IN MILLIMETERS SURFACE FINISH: TOLERANCES: SEE DIM'S LINEAR: SEE DIM'S ANGULAR: SEE DIM'S			FINISH:	DEBUR AND BREAK SHARP EDGES	DO NOT SCALE DRAWING	REVISION
DRAWN	NAME	SIGNATURE	DATE	 <a href="http://www.andornot.co.uk">www.andornot.co.uk</a>	TITLE: <b>Frame Assembly</b>	
CHK'D					DWG NO. <b>1-00002</b>	A3
APPV'D					SCALE:1:10	SHEET 1 OF 1
MFG					WEIGHT:	
Q.A						